

DIMENSIONS IN mm

G = CENTER OF GRAVITY

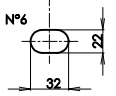
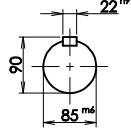
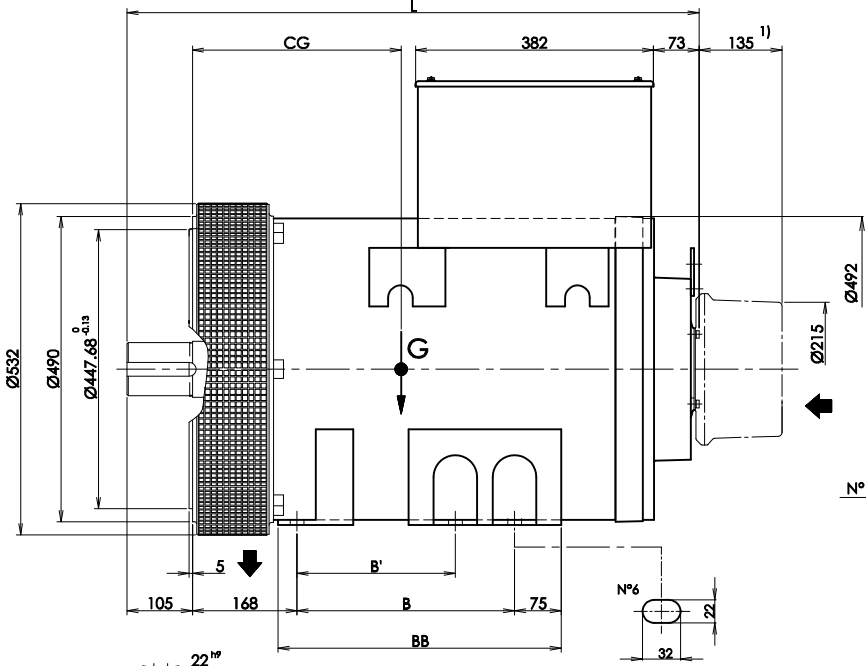
1) PMG OPTIONAL

CHANGES RESERVED

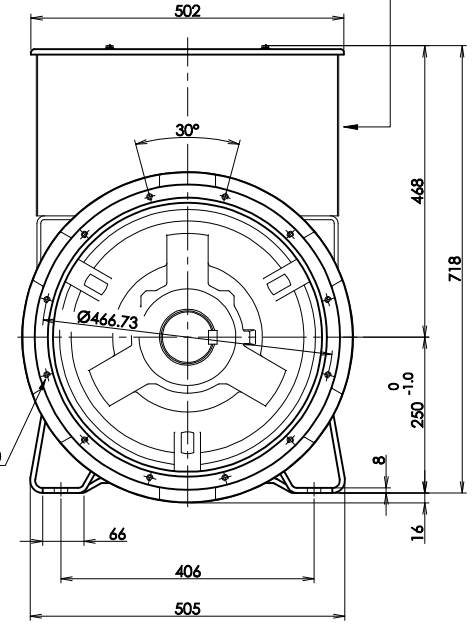
CAD	FIRMA	DATA
DIS.	PELLIZARI	10.09.03
CONTR./C.I.F.T.	GROUPO	10.09.03
CONTR.IMP.	VACCARETTI	10.09.03

Indice	Modifiche	Firma	Data	Descr.	Conten.

Indice	Modifiche	Firma	Data	Descr.	Conten.
A	MODIFICATO FORMA PIEDI	PELLIZARI	07.10.03	GROUPO	VACCARETTI
B	MOD. QUOTIA BE E H. SCANDIA M.	COCCO	09.07.04		



LEAD EXIT TO THE RIGHT OR TO THE LEFT



TYPE	DIMENSIONS				
	L	B'	B	BB	CG
MJB 250 MA	918	254	349	455	335
MJB 250 MB	918	254	349	455	365
MJB 250 LA	1050	311	406	512	390
MJB 250 LB	1050	311	406	512	410


SYNCHRONOUS GENERATORS MJB 250
 DOUBLE BEARING CONSTRUCTION IM B34 (IM 2101) SAE 2

M00AV386B

A	B			
---	---	--	--	--

DIMENSIONS IN mm

G = CENTER OF GRAVITY

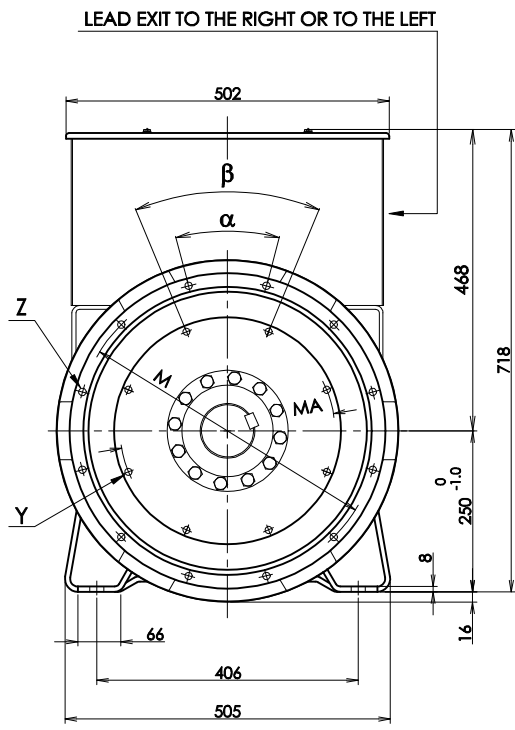
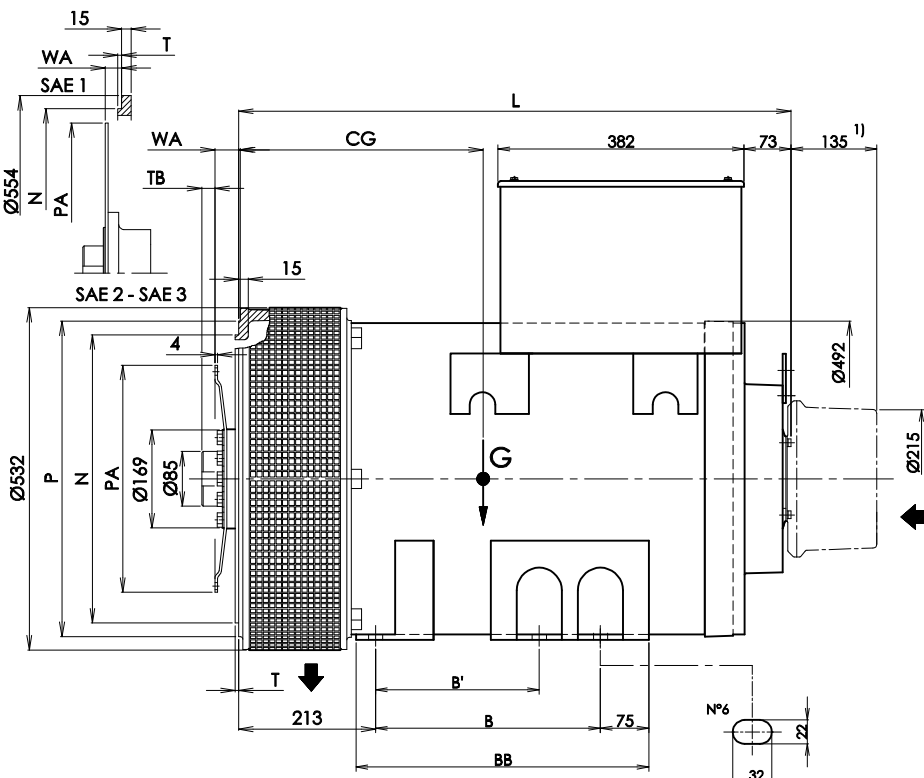
1) PMG OPTIONAL

CHANGES RESERVED

CAD	FIRMA	DATA
DIS.	PELIZZARI	10.09.03
CONTR./C.UFF.	GRUPPO	10.09.03
CONTR.NOM.	VACCARETTI	10.09.03

Index	Modifiche	Firma	Data	Dim./Qnt.	Controll.

Index	Modifiche	Firma	Data	Dim./Qnt.	Controll.
A	MODIFICATO FORMA FREI	PELIZZARI	07.10.03	GRUPPO	VACCARETTI
B	MODIFICATE BAL. E ALT. SCVOLA H.	PELIZZARI	07.10.03		



TYPE	DIMENSIONS				
	L	B'	B	BB	CG
MJB 250 MA	858	254	349	455	380
MJB 250 MB					410
MJB 250 LA					435
MJB 250 LB	998	311	406	512	455

CONNECTINGS	
COUPLING	FLANGE
SAE J620	SAE J617
11 1/2	3 2 1
14	● ● ●

DIMENSIONS															
FLANGE								COUPLING							
SAE	N	P	M	T	Z	α	SAE	PA	MA	Y	β	WA	TB		
J617	8.13				N°	Ø	J620			N°	Ø				
3	409.58	451	428.62	5	12	11.5	11 1/2	352.42	333.38	8	11	45°	39.6	20.4	
2	447.68	490	466.72	5	12	11.5	14	466.72	438.15	8	14	45°	25.4	34.6	
1	511.18	552	530.22	6	12	11.5									


SYNCHRONOUS GENERATORS MJB 250
SINGLE BEARING CONSTRUCTION IM B2

M00AV387B

A	B		
---	---	--	--